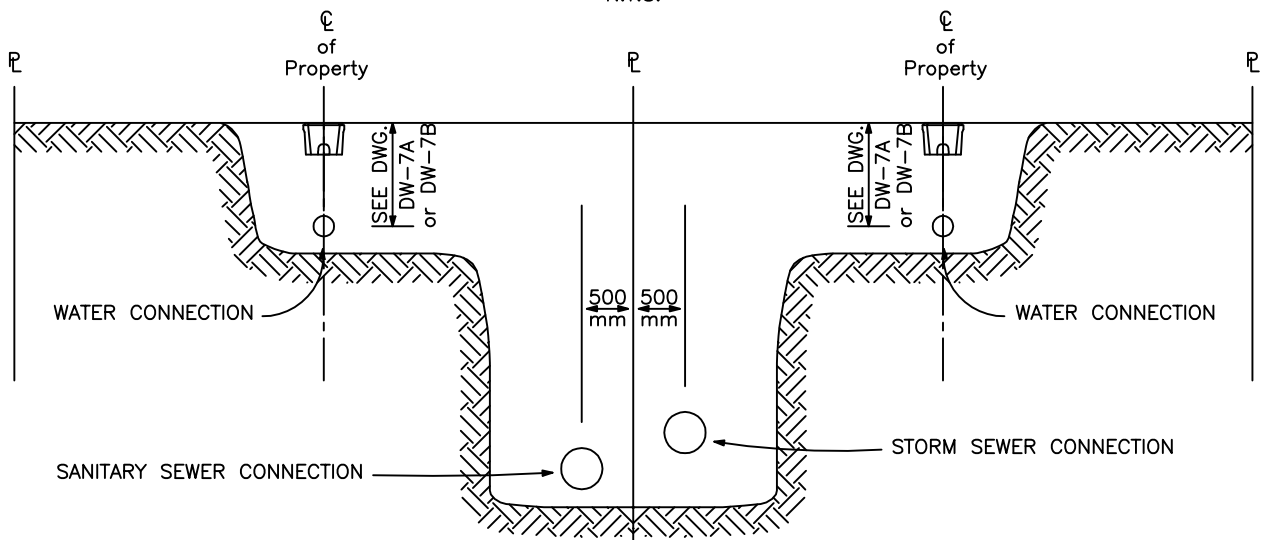


PLAN VIEW  
N.T.S.



SECTION VIEW  
N.T.S.

NOTE: FOR SERVICE CONNECTION DETAILS  
SEE STANDARD DRAWINGS.

TYPICAL LOT SERVICE CONNECTIONS  
FOR ROAD GRADES LESS THAN 2 PER CENT



REVISED: 12/11

APPROVED:

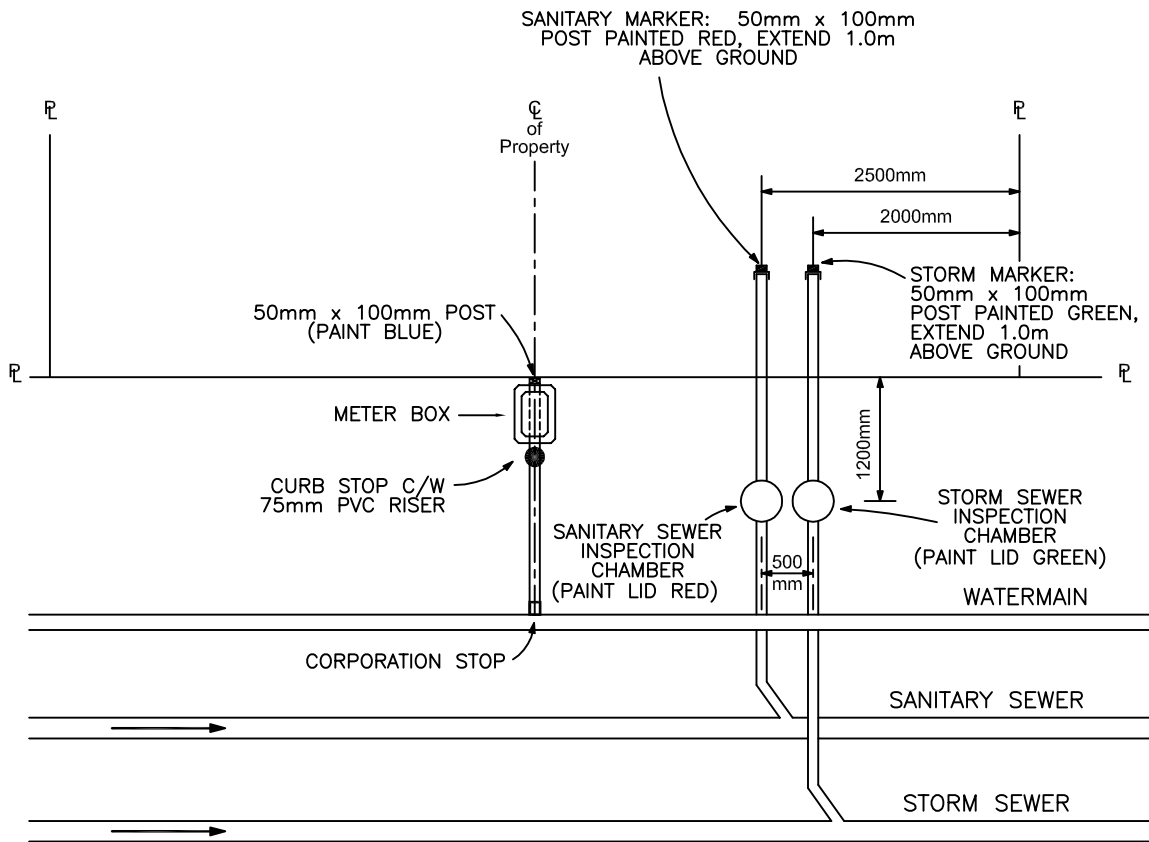
APPROVED:

DWG. NO.

DATE: 07/93

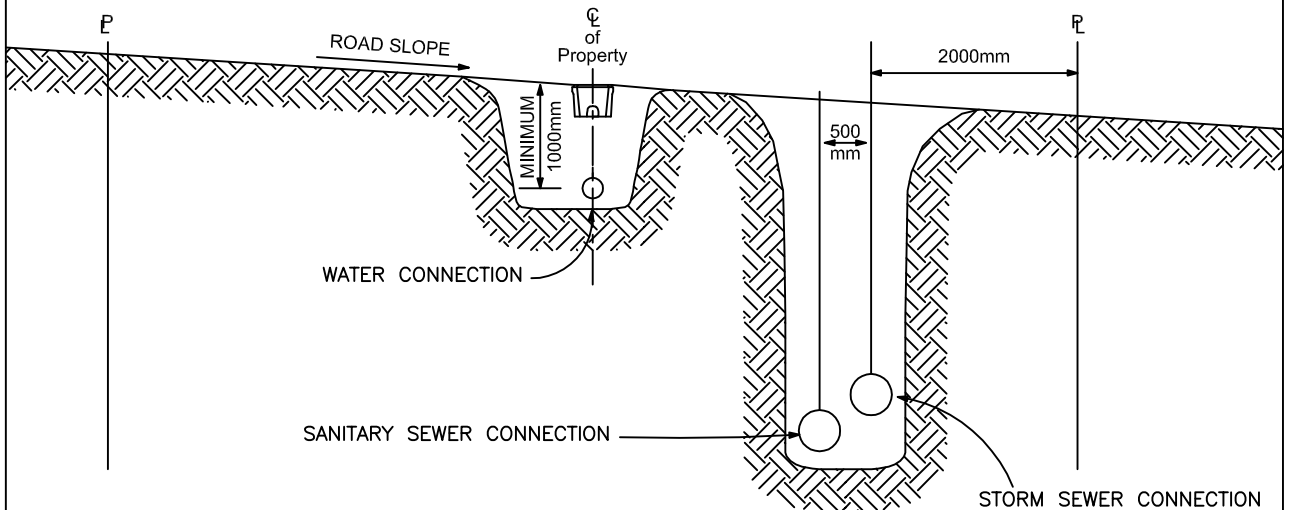
DC-1

DRAWN: SEH



PLAN VIEW

N.T.S.



SECTION VIEW

N.T.S.

NOTE: FOR SERVICE CONNECTION DETAILS SEE STANDARD DRAWINGS.

TYPICAL LOT SERVICE CONNECTIONS FOR ROAD GRADES GREATER THAN 2 PER CENT



CITY OF CHILLIWACK

REVISED: 11/09

APPROVED:

APPROVED:

DATE: 06/94

DRAWN: SEH

DWG. NO.

DC-2

ADDRESS OF PROPERTY
---------------------

MASTER LEGAL MAP

CONNECTION LOCATIONS SKETCH  
 WATER \_\_\_\_\_ SANITARY \_\_\_\_\_ STORM \_\_\_\_\_



CITY OF CHILLIWACK

Municipal Services Record

ROLL NUMBER	LEGAL DESCRIPTION						
	LOT	BLK	D.L.	1/4	SEC	T.P.	PLAN

	WATER	SANITARY SEWER	STORM SEWER
DATE OF APPLICATION			
PERMIT NUMBER			
INSTALLATION DATE			
SIZE OF SERVICE			
LOCATION AT P. L.			
INVERT AT P. L.	X		
LENGTH OF CONNECTION	X		
METER SIZE & TYPE	X		
DEPTH OF MAIN			
DIST. FROM WYE TO M.H.	X		
MEASURED FROM M.H. No.	X		
RISER	X		
TYPE OF PIPE			
CULVERT INSTALLATIONS			
DATE	PERMIT No.	SIZE/TYPE	LENGTH

SAMPLE SERVICE RECORD CARD



**CITY OF CHILLIWACK**

REVISED:

APPROVED:

APPROVED:

DATE:

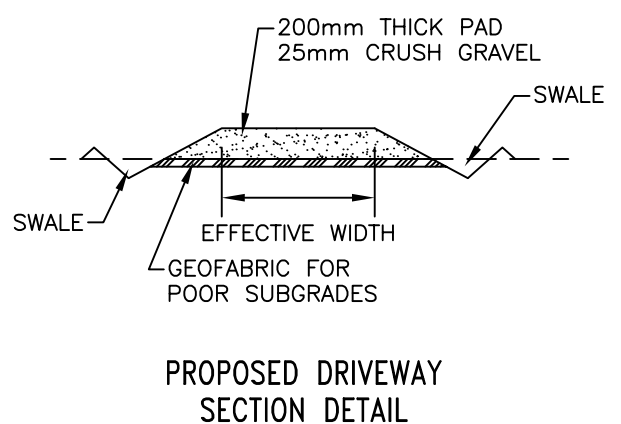
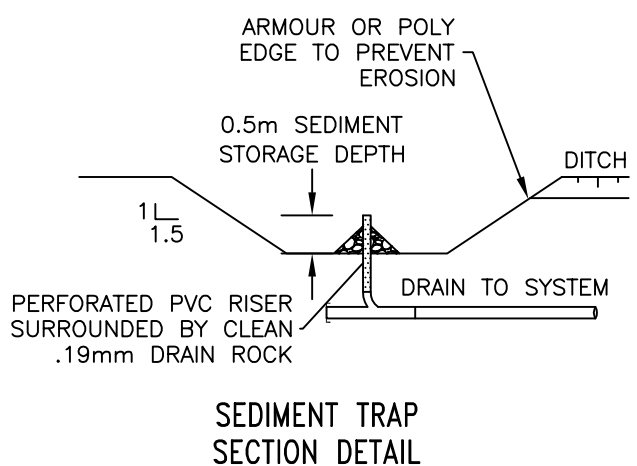
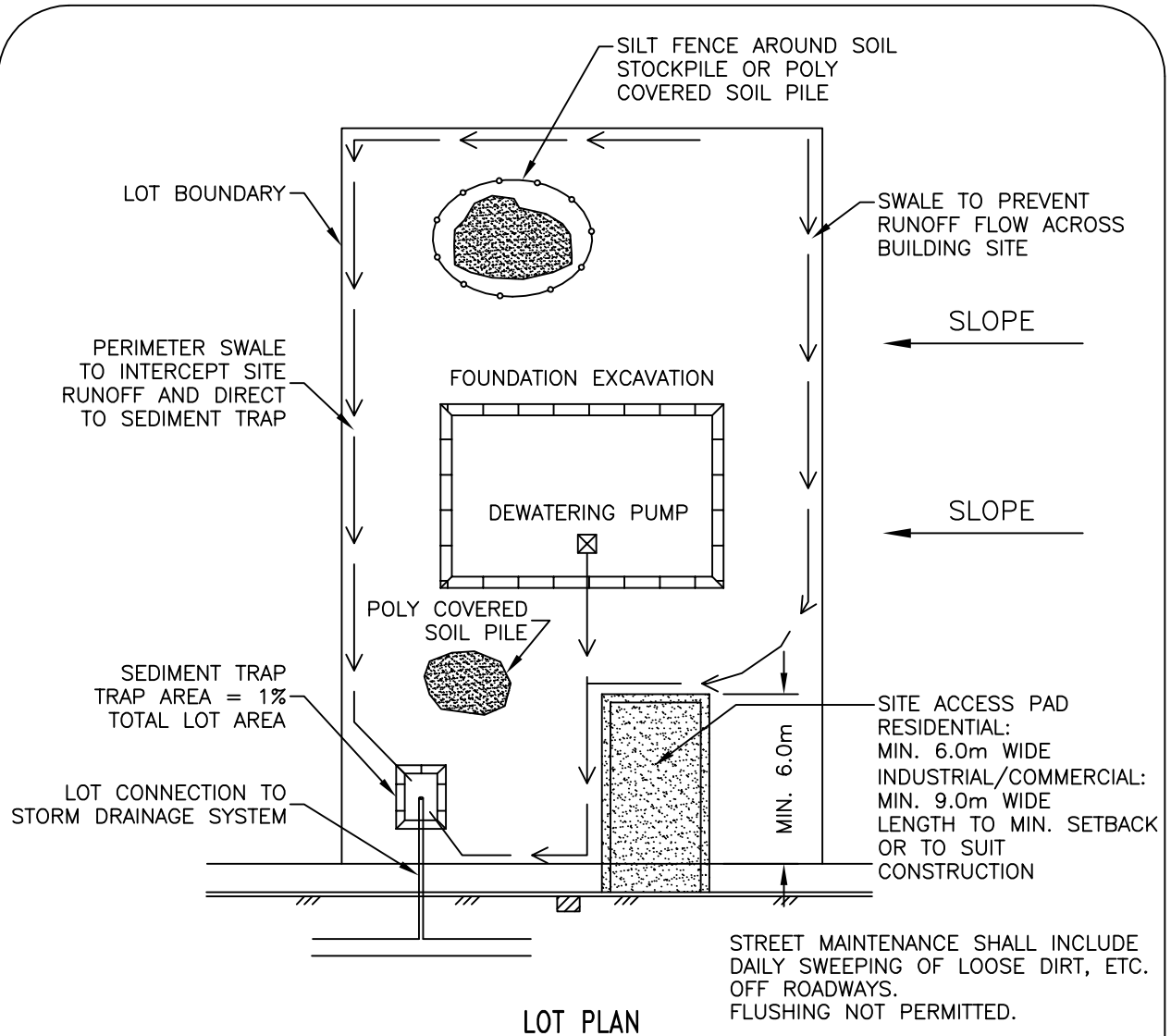
02/02

DRAWN:

THJ

DWG. NO.

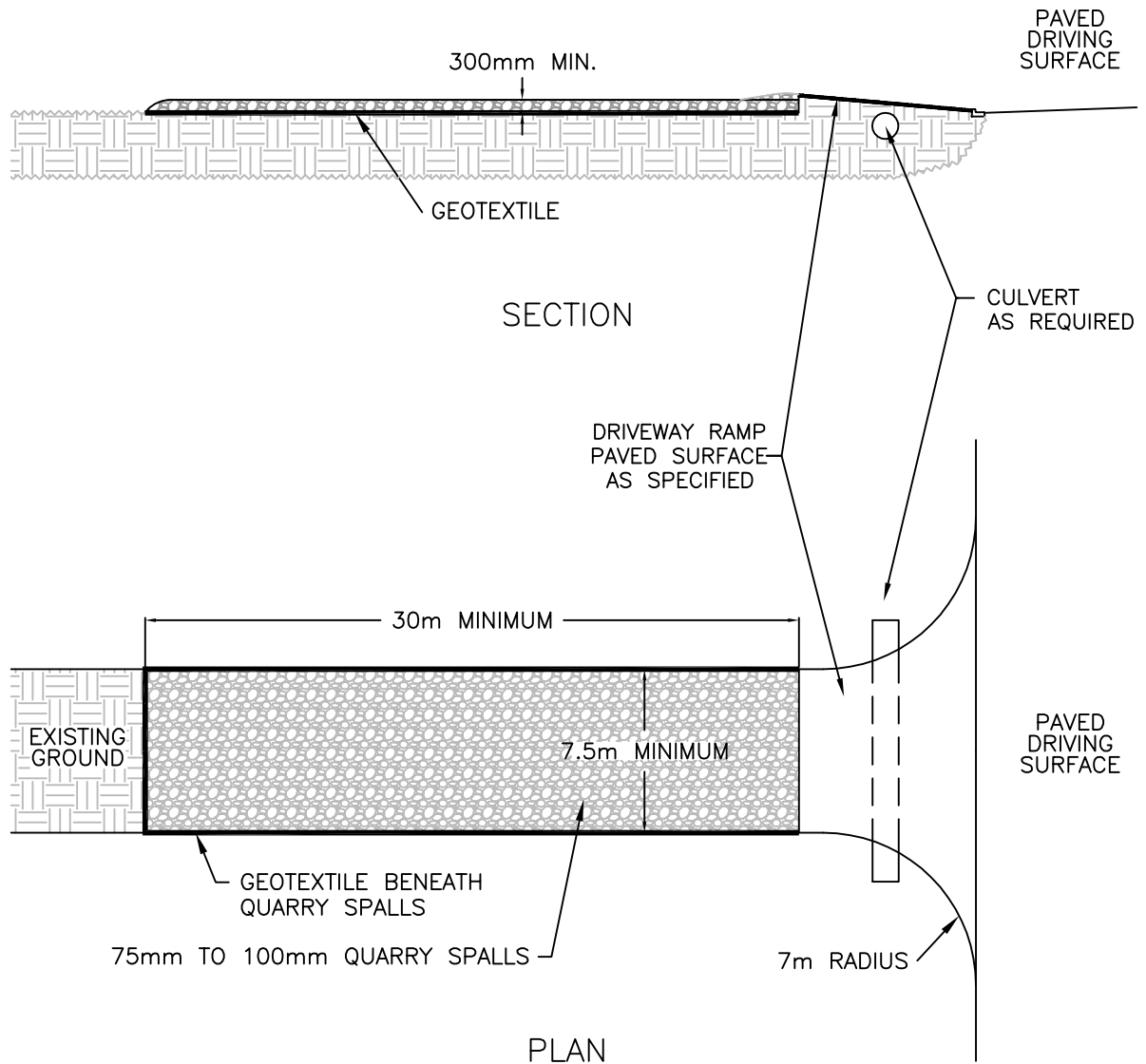
**DC-3**



TEMPORARY LOT SILTATION CONTROL



REVISED:	APPROVED:
APPROVED:	DWG. NO.
DATE: 05/08	DC-4
DRAWN: SEH	



NOTES:

1. PAD SHALL BE REMOVED AND REPLACED WHEN SOIL IS EVIDENT ON THE SURFACE OF THE PAD OR AS DIRECTED BY THE ENGINEER.
2. PAD THICKNESS SHALL BE INCREASED IF SOIL CONDITIONS DICTATE OR PER THE DIRECTION OF THE ENGINEER.
3. MINIMUM DIMENSIONS MAY BE MODIFIED AS REQUIRED BY SITE CONDITIONS UPON APPROVAL OF THE ENGINEER.

TEMPORARY CONSTRUCTION ACCESS



**CITY OF CHILLIWACK**

REVISED:

APPROVED:

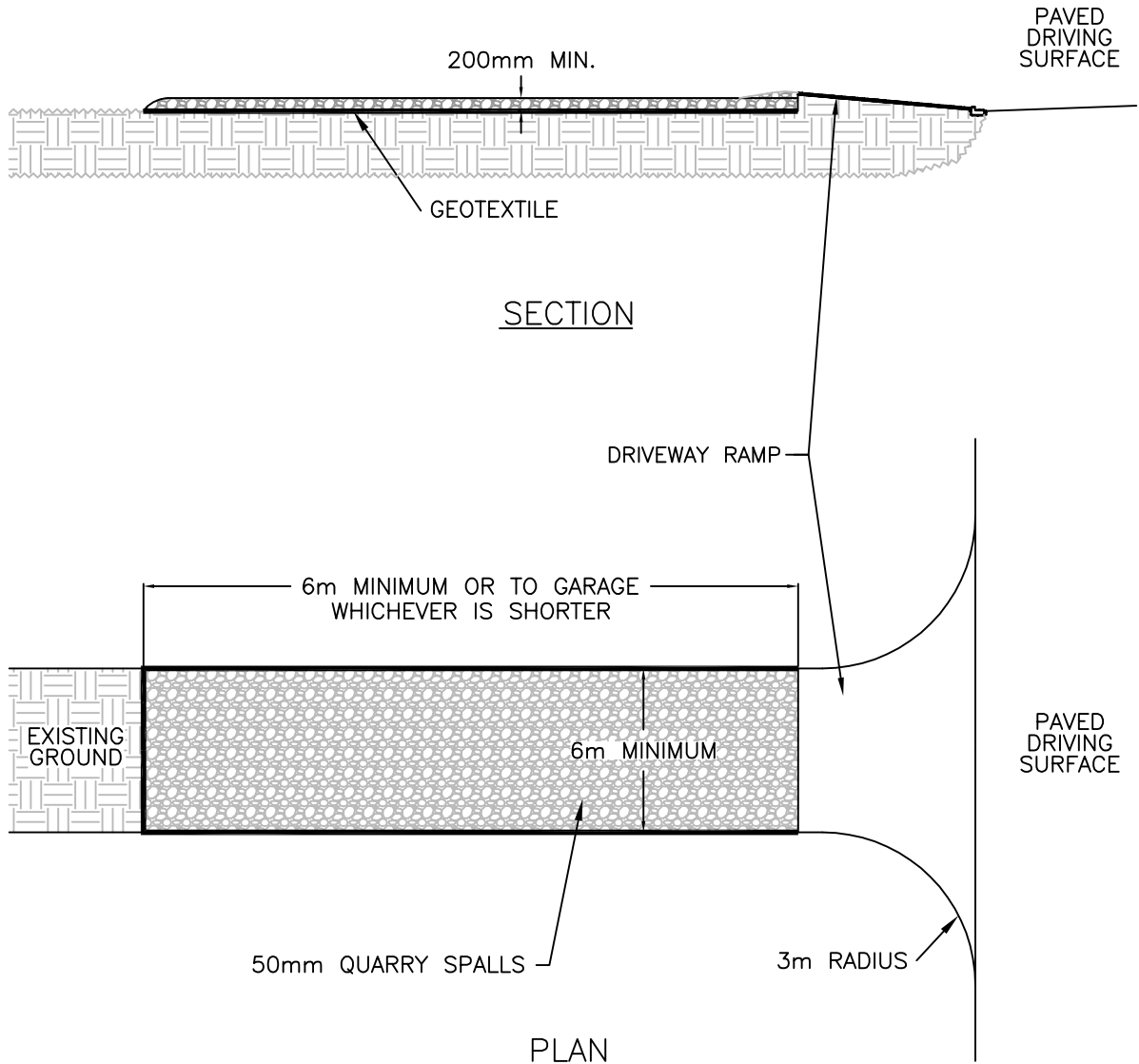
APPROVED:

DWG. NO.

DATE: 05/08

DC-5

DRAWN: SEH



NOTES:

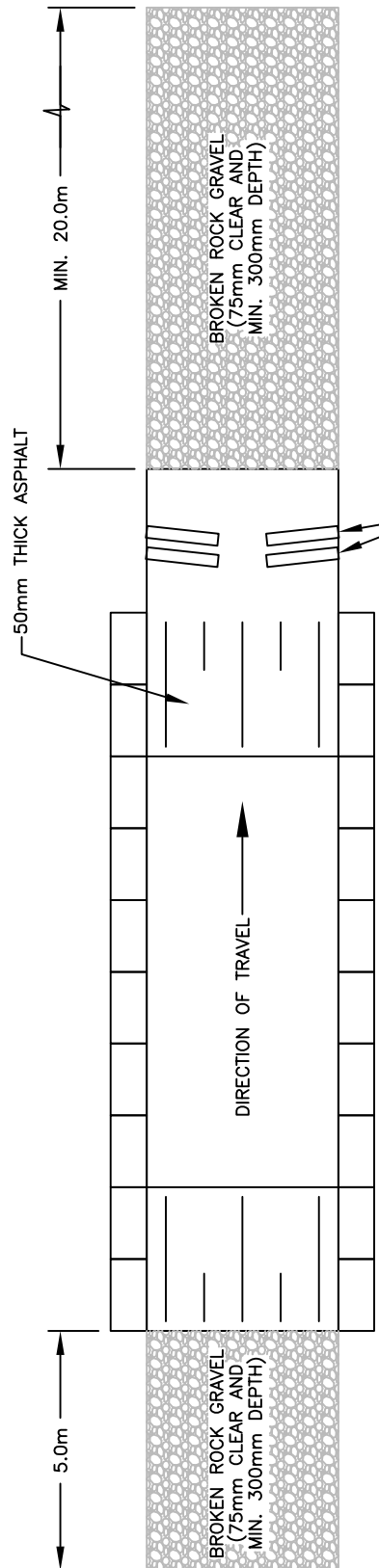
1. PAD SHALL BE REMOVED AND REPLACED WHEN SOIL IS EVIDENT ON THE SURFACE OF THE PAD OR AS DIRECTED BY THE ENGINEER.
2. PAD THICKNESS SHALL BE INCREASED IF SOIL CONDITIONS DICTATE OR PER THE DIRECTION OF THE ENGINEER.
3. MINIMUM DIMENSIONS MAY BE MODIFIED AS REQUIRED BY SITE CONDITIONS UPON APPROVAL OF THE ENGINEER.
4. ACCESS PAD FOR USE OF VEHICLES ONLY. NO BUILDING MATERIALS, GRAVEL, TOPSOIL OR OTHER MATERIALS SHALL BE STORED OR POSITIONED ON PAD.

TEMPORARY ACCESS PAD (Single Family Residential)

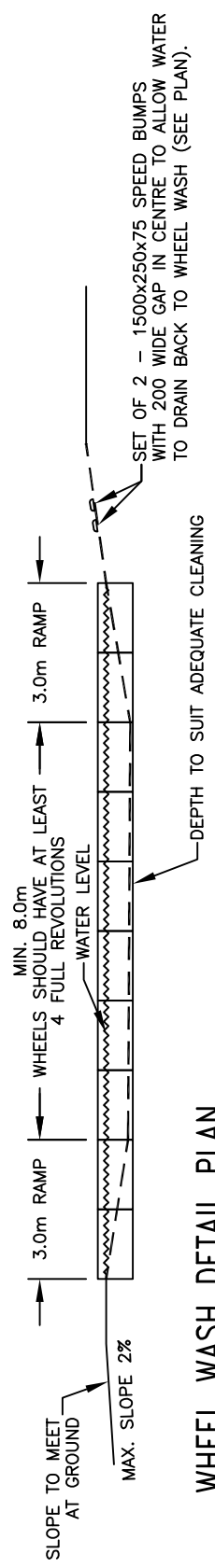


**CITY OF CHILLIWACK**

REVISED:	APPROVED:
APPROVED:	DWG. NO.
DATE: 05/08	DC-6
DRAWN: SEH	

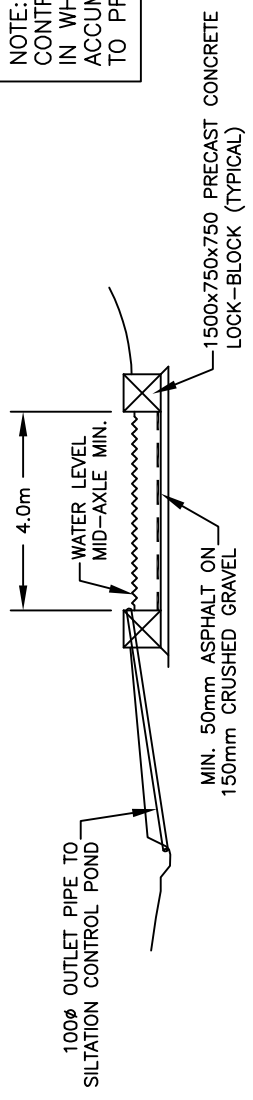


**WHEEL WASH DETAIL PROFILE**



**WHEEL WASH DETAIL PLAN**

**NOTE:**  
 CONTRACTOR TO MAINTAIN MIN. OF 0.5m WATER IN WHEEL WASH AT ALL TIMES, AND REMOVE ACCUMULATED SEDIMENT AS REQUIRED TO PROVIDE PROPER CLEANING OF TRUCKS.

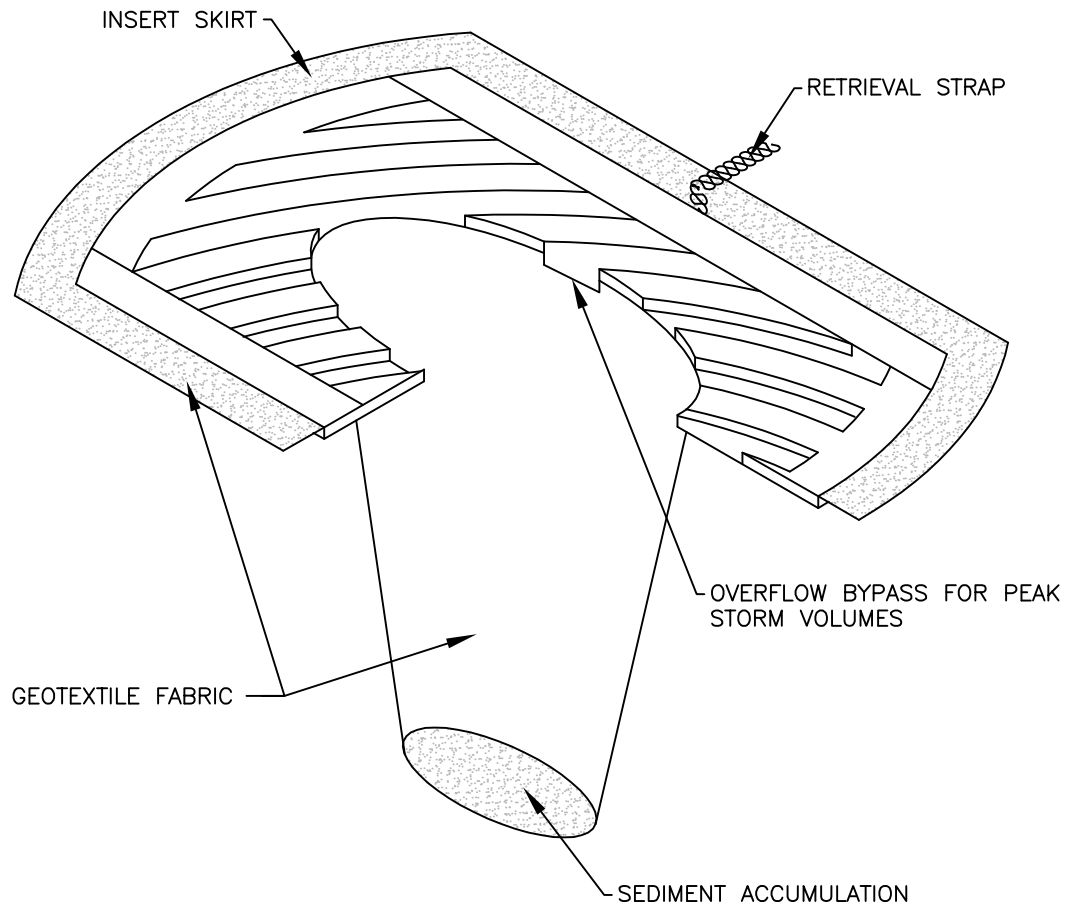


**WHEEL WASH DETAIL CROSS SECTION**

**WHEEL WASH FACILITY**



REVISED:	APPROVED:
APPROVED:	DWG. NO.
DATE: 05/08	DC-7
DRAWN: SEH	



NOTES:

1. INSERT SHALL BE INSTALLED PRIOR TO CLEARING AND GRADING ACTIVITY, OR UPON PLACEMENT OF A NEW CATCHBASIN. INSERTS TO BE CLEANED OR REPLACED PRIOR TO RELIEASE OF BUILDING PERMITS.
2. SEDIMENT SHALL BE REMOVED FROM THE UNIT WHEN IT BECOMES HALF FULL.
3. SEDIMENT REMOVAL SHALL BE ACCOMPLISHED BY REMOVING THE INSERT, EMPTYING, AND RE-INSERTING IT INTO THE CATCHBASIN OR REPLACE AS NEEDED.
4. MATERIAL SHALL BE DISPOSED OF WHERE IT CANNOT BE RE-INTRODUCED TO THE DRAINAGE SYSTEM.

CATCH BASIN SEDIMENT BAG INSERT



**CITY OF CHILLIWACK**

REVISED:

APPROVED:

APPROVED:

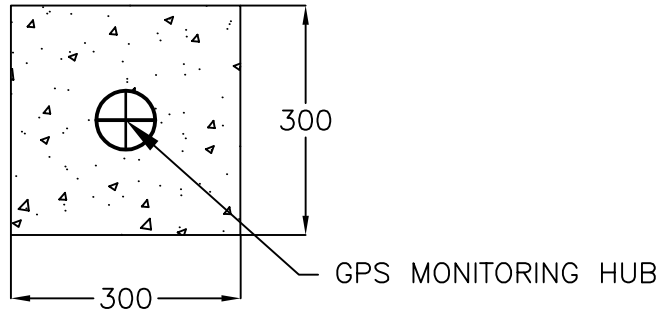
DWG. NO.

DATE: 05/08

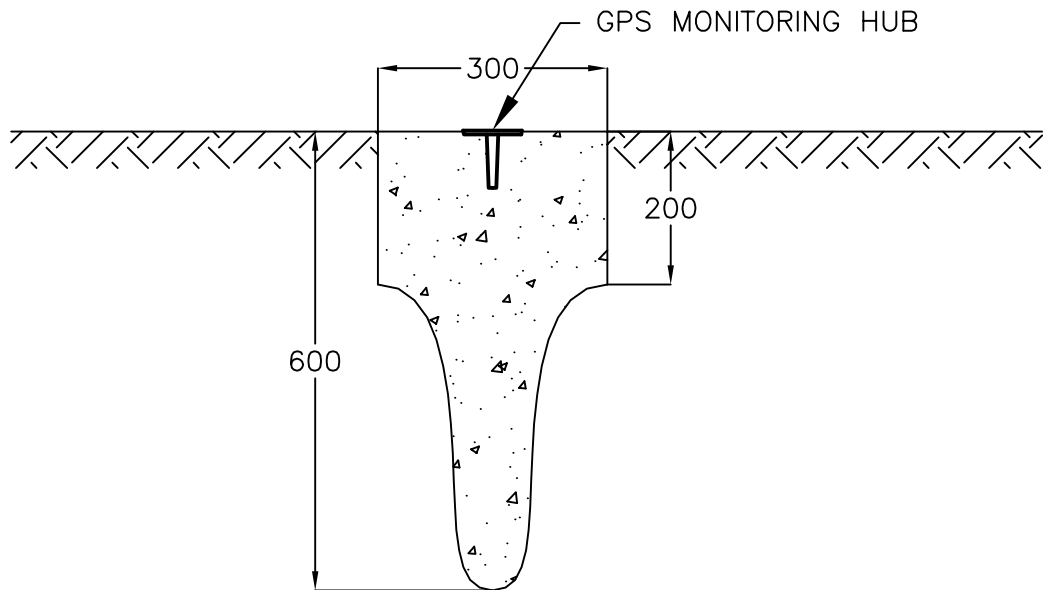
DC-8

DRAWN: SEH





PLAN VIEW



PROFILE VIEW

NOTES:

1. INSTALL HUB APPROXIMATELY LEVEL WITH SURROUNDING GROUND.
2. CONCRETE TO BE PER MMCD SECTION 033020, ITEM 2.1.5.1.

GPS MONITORING HUB INSTALLATION



**CITY OF CHILLIWACK**

REVISED: 10/10

APPROVED:

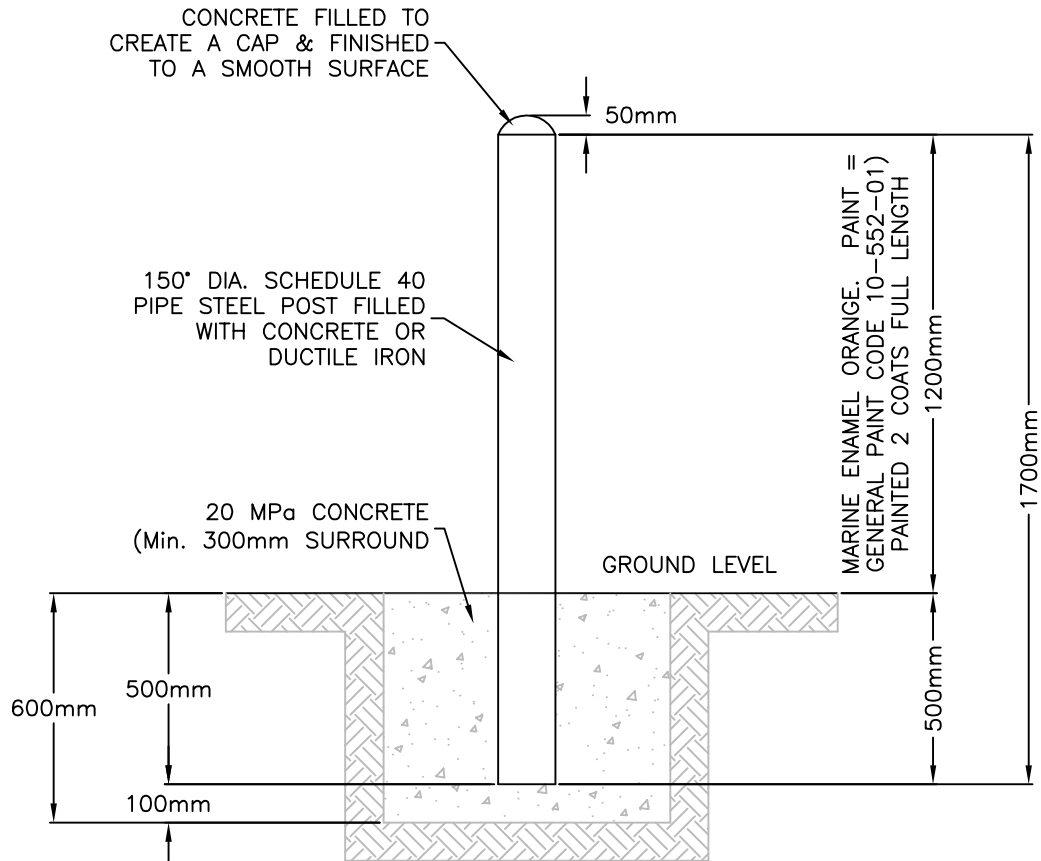
APPROVED: RS

DATE: 04/09

DRAWN: SEH

DWG. NO.

DC-9



STEEL BOLLARD FILLED WITH CONCRETE



CITY OF CHILLIWACK

REVISED:

APPROVED:

APPROVED:

DWG. NO.

DATE: 05/08

DC-10

DRAWN: SEH